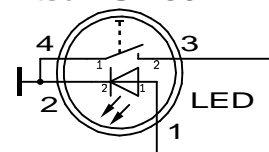
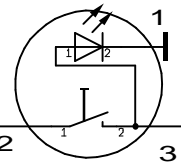
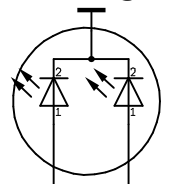


Lid  
(Deckel)

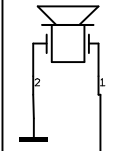
LED red/green

ON/OFF switch  
Sparkfun COM-11155

STOP button  
Seimitsu PSL-30N-12W



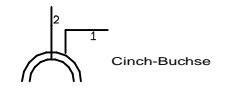
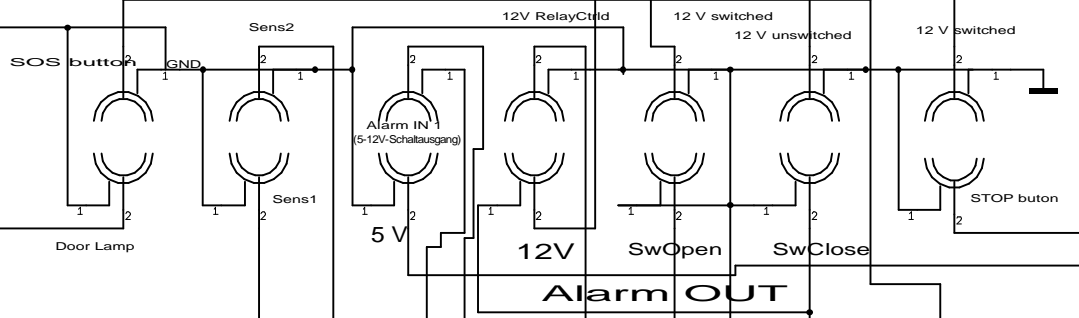
Speaker  
SparkFun COM-10722



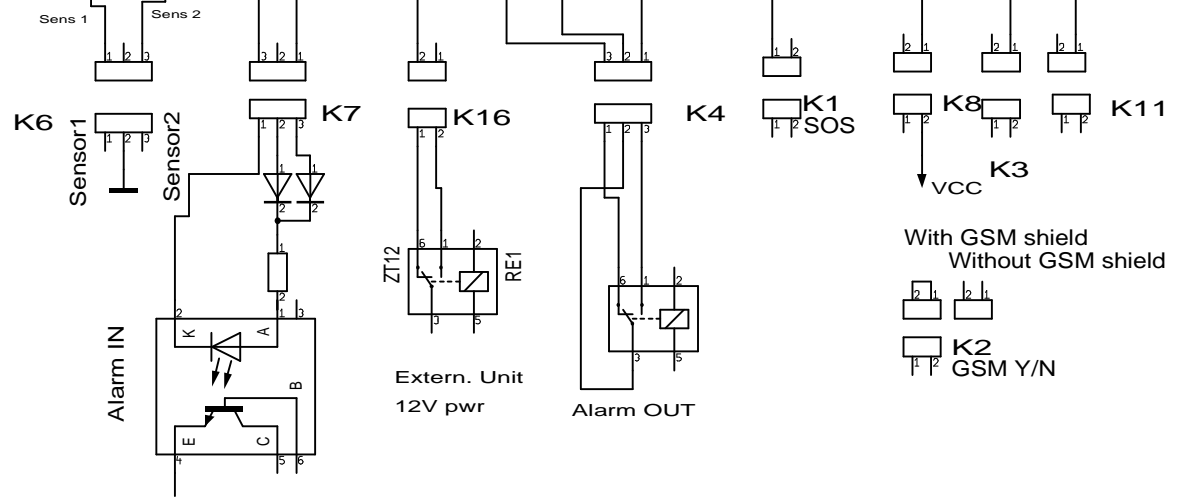
Back (inside)  
(Rueckseite, innen)



DC IN (12V)



PCB  
(Platine)



With GSM shield  
Without GSM shield  
K2 GSM Y/N